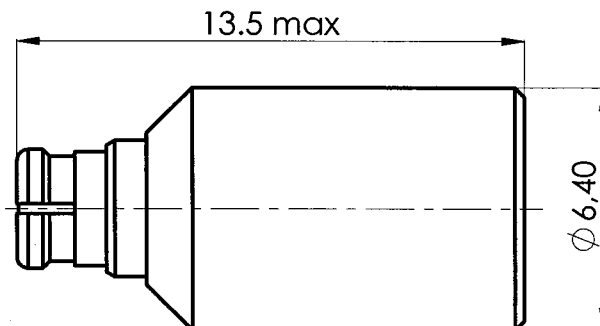


**DRAWING**



General tolerances : ±0.5 mm

**R. F. CHARACTERISTICS**

FREQUENCY RANGE	: DC – 40 GHz
IMPEDANCE	: 50 Ω
DC RESISTANCE	: 50 Ω ± 5%
AVERAGE POWER HANDLING at 25° C	: 0.5 W
PEAK POWER HANDLING(1μs , 1%) at 25° C	: 100 W
V.S.W.R.	0 – 18 GHz : ≤ 1.30
	18 – 26.5 GHz : ≤ 1.35
	26.5 – 40 GHz : ≤ 1.7

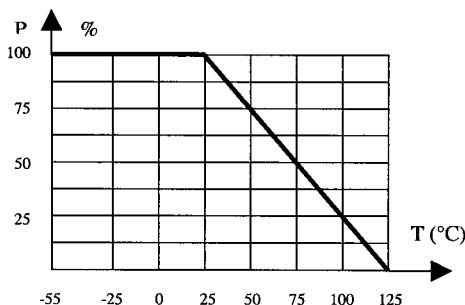
**MECHANICAL CHARACTERISTICS**

CONNECTOR	: SMP female per DESC publication A 14933 rev C
WEIGHT	: ≤ 2.5 g

**ENVIRONNEMENTAL CHARACTERISTICS**

OPERATING TEMPERATURE RANGE (°C)	: - 55 ; + 125
STORAGE TEMPERATURE RANGE (°C)	: - 55 ; + 125

Power derating  
Versus temperature



CREATION					RADIALL
N°: H000106174					101, rue P. Hoffmann
PEN/EP : 00512					93116 ROSNY/BOIS
Name:M.G.					France
Date:15.Sep.00	05.Jun02	Change VSWR 0-18 GHz	AF	FG	Tel : (33) 0149353535
Appr.: AF.	Issue	Revisions	Name	Appr.	Fax : (33) 0148546363